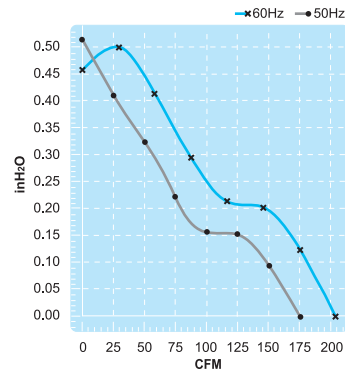
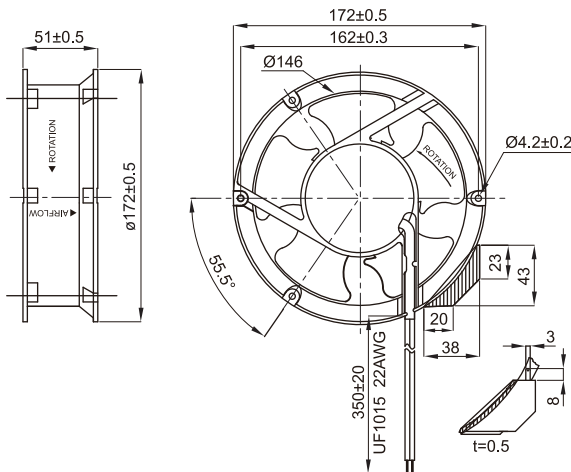


UF17P Series

Size : $\varnothing 172 \times 51$

Unit : mm



Impedance-Protected

Terminal or Lead Wire Type



Spec.	Rated Voltage	Frequency	Input Power	Rated Current	Locked Current	Speed	Maximum Air Flow	Maximum Air Flow	Maximum Pressure	Maximum Pressure	Noise	Weight
Model	V	Hz	W	A	A	RPM	m ³ /min.	CFM	mmH ₂ O	InchH ₂ O	dB	kg
UF17P11-H	115V	50	32	0.43	0.51	2750	4.8	170	10.5	0.42	49	0.9
		60	28	0.36	0.45	3100	5.5	195	9.5	0.38	53	
UF17P23-H	230V	50	35	0.23	0.29	2750	4.8	170	10.5	0.42	49	0.9
		60	30	0.18	0.25	3100	5.5	195	9.5	0.38	53	