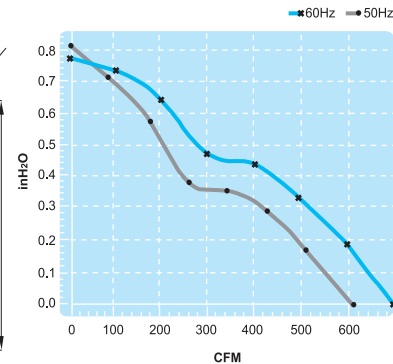
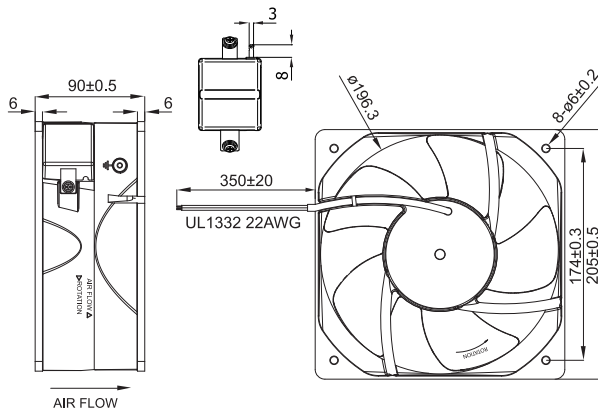


UF20J(C) Series

Size : 205 x 205 x 90

Unit : mm



Thermally-Protected

Terminal or Lead Wire Type



| Spec. / Model | Rated Voltage V | Frequency Hz | Input Power W | Rated Current A | Locked Current A | Speed RPM | Maximum Air Flow m ³ /min. | Maximum Air Flow CFM | Maximum Pressure mmH ₂ O | Maximum Pressure InchH ₂ O | Noise dB | Weight kg |
|---------------|-----------------|--------------|---------------|-----------------|------------------|-----------|---------------------------------------|----------------------|-------------------------------------|---------------------------------------|----------|-----------|
| UF20JC11-H | 115V | 50 | 70 | 0.62 | 1.22 | 2800 | 17.0 | 600 | 20.3 | 0.80 | 67 | 2.4 |
| | | 60 | 98 | 0.90 | 1.22 | 3200 | 19.3 | 680 | 19.8 | 0.77 | 71 | |
| UF20JC23-H | 230V | 50 | 70 | 0.32 | 0.60 | 2800 | 17.0 | 600 | 20.3 | 0.80 | 67 | 2.4 |
| | | 60 | 98 | 0.45 | 0.61 | 3200 | 19.3 | 680 | 19.8 | 0.77 | 71 | |