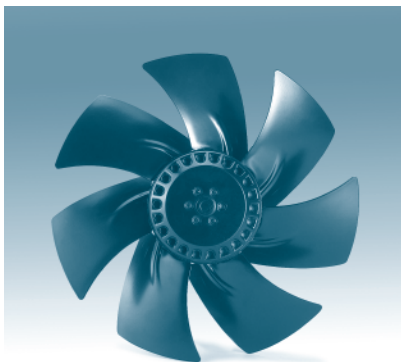
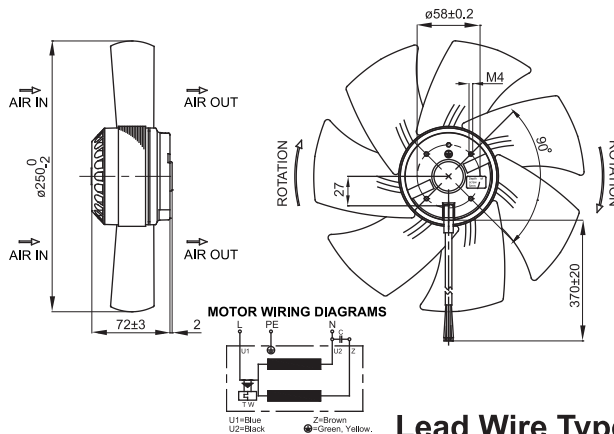


UF250BMB-E Series

Size : $\varnothing 250 \times 72$
Unit : mm

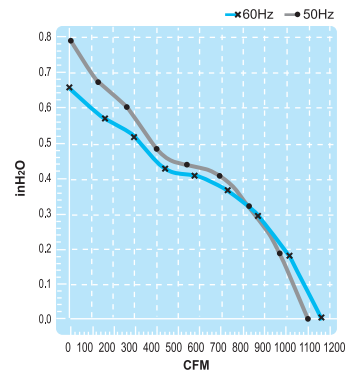


Thermally-Protected



Lead Wire Type

(Axial Fan)



Spec.	Rated Voltage	Frequency	Input Power	Rated Current	Locked Current	Speed	Maximum Air Flow	Maximum Air Flow	Maximum Pressure	Maximum Pressure	Capacitor	Noise	Weight
Model	V	Hz	W	A	A	RPM	m ³ /min.	CFM	mmH ₂ O	InchH ₂ O	μF/VDB	dB	kg
UF250BMB11H1C2E	115V	50	112	1.00	1.90	2550	31	1090	20.0	0.78	12/250	68	1.8
		60	148	1.50	1.90	2700	32	1130	16.5	0.65		70	
UF250BMB23H1C2E	230V	50	119	0.59	0.91	2550	31	1090	20.0	0.78	4/450	68	1.8
		60	158	0.82	0.91	2700	32	1130	16.5	0.65		70	