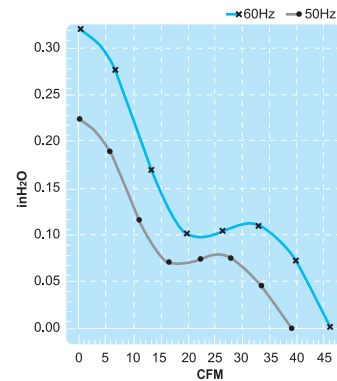
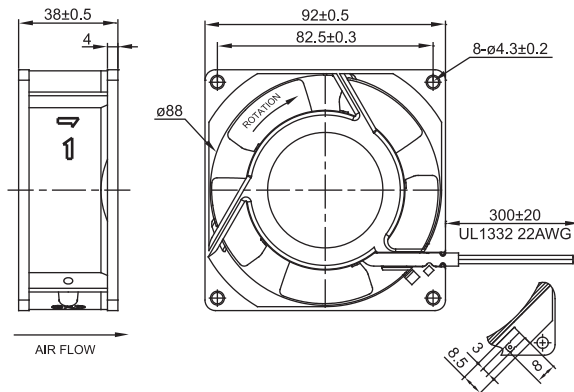


UF92A Series

Size : 92 x 92 x 38

Unit : mm



Impedance-Protected

Terminal or Lead Wire Type



Spec.	Rated Voltage	Frequency	Input Power	Rated Current	Locked Current	Speed	Maximum Air Flow	Maximum Air Flow	Maximum Pressure	Maximum Pressure	Noise	Weight
Model	V	Hz	W	A	A	RPM	m ³ /min.	CFM	mmH ₂ O	InchH ₂ O	dB	kg
UF92A11-H	115V	50	15	0.22	0.29	2800	1.1	38	5.6	0.22	34	0.45
		60	12	0.16	0.25	3300	1.3	46	8.1	0.32	38	
UF92A23-H	230V	50	16	0.12	0.15	2800	1.1	38	5.6	0.22	34	0.45
		60	12	0.09	0.13	3300	1.3	46	8.1	0.32	38	