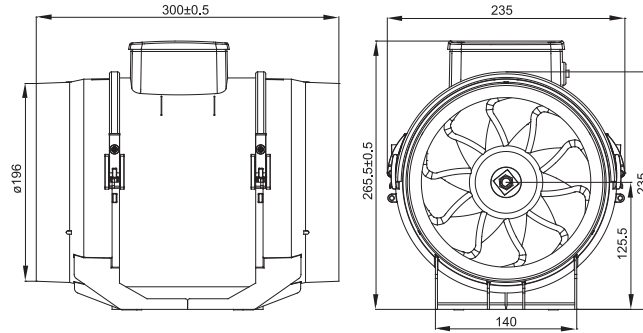


DF200P Series

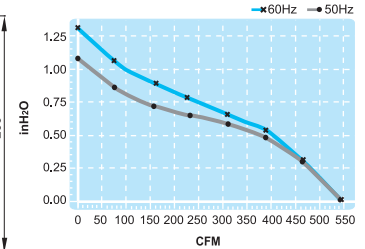
Size : 300 x 265.5
Unit : mm



Thermally-Protected



(Duct Fan)



Spec. / Model	Rated Voltage V	Frequency Hz	Input Power W	Rated Current A	Locked Current A	Speed RPM	Maximum Air Flow m ³ /min.	Maximum Air Flow CFM	Maximum Pressure mmH ₂ O	Maximum Pressure InchH ₂ O	Noise dB	IP Rate	Weight kg
DF200P23-H	230V	50	150	0.63	0.95	2100	15.6	550	29	1.14	59	44	4
-L	230V	50	125	0.54	0.65	1700	12.5	440	26	1.02	53	44	4