

Ex-Proof Loudspeaker dHS



terminal connection chamber increased safety „e“

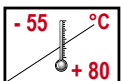
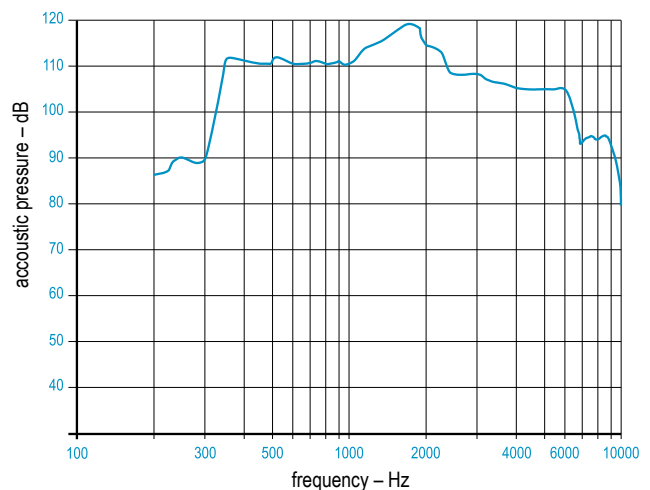


II 2 G Ex d e mb IIC T4/T5/T6 Gb
II 2 D Ex tb IIIC T130 °C/T95 °C/T80 °C Db
T4 -55 °C ≤ Ta ≤ +80 °C
T5 -55 °C ≤ Ta ≤ +65 °C
T6 -55 °C ≤ Ta ≤ +55 °C
Zone 1, 2, 21, 22

Features

- ▶ Ex-proof loudspeaker for emergency communications and for warning, calling, indicating in explosion endangered areas of zone 1 and 2
- ▶ Power up to 25 W at sound pressure levels up to 119 dB (A) in 1 m
- ▶ Built-in 100 V transformer – for connection to 100 V loudspeaker systems
- ▶ Antistatic, UV-resistant synthetic housing
- ▶ Low weight, robust and corrosion proof design
- ▶ Insulation class II – no equipotential bonding required
- ▶ Excellent acoustic quality
- ▶ Gas tight encapsulated transformer module
- ▶ Acoustic pressure chamber is separated from environment via a special sinter metal filter

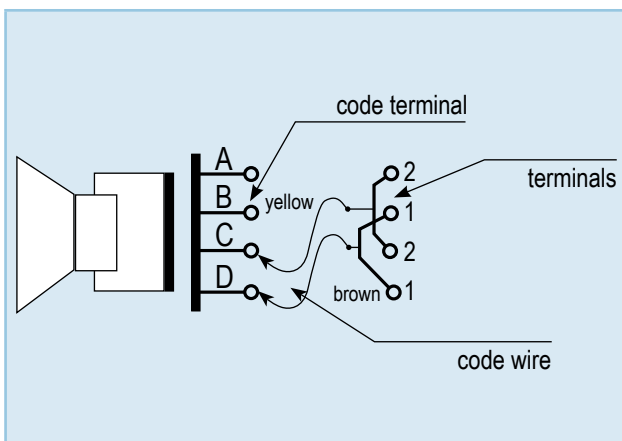
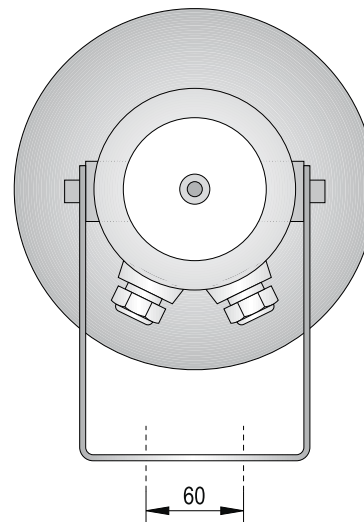
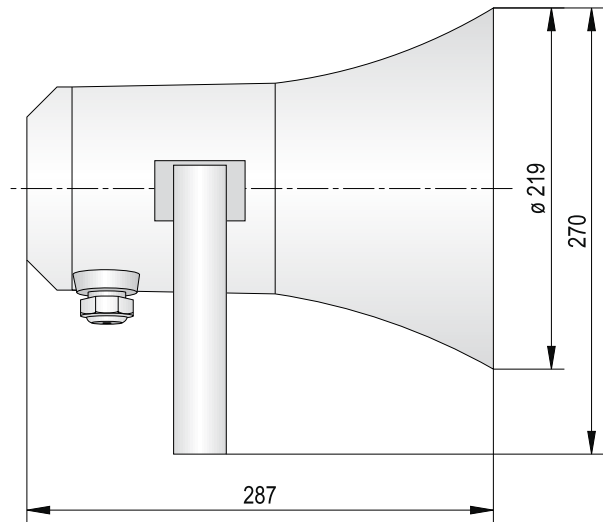
Frequency





Technical data

Type	dHS	
Housing, colour	antistatic UV-resistant synthetic housing black RAL 9005	
Mounting bracket	stainless steel V4A	
Terminal	2,5 mm ² (AWG) fine wire, 4,0 mm ² single wire	
Connection cable	6-13 mm	
Cable entry	2 x cable gland M20 x 1,5	
Mounting	as required - swiveling mounting bracket	
Insulation class	II no equipotential bonding required	
Weight	3,5 kg	
Input-Output feed through	up to 20 loudspeakers resp. max. 500 W	
Supply voltage	100 V	
Max. power 70-15000 Hz	25 W	
SPL 25 W / 1m	119 dB (A)	
SPL 1 W / 1m	107 dB (A)	
Transmission range	230-10.000 Hz	
Transmission range acc.to IEC 60268	330-6.200 Hz	
Distortion factor 1 W/1 kHz	≤ 4%	
Distortion factor 10 W/1 kHz	≤ 5%	
Angle of radiation 1 kHz-6 dB	130°	
Angle of radiation 4 kHz-6 dB	40°	
Approval	PTB 03 ATEX 1231	



Coding via internal stranded hook-up wires: polarity (yellow/brown)

Code wire		Power (W)
brown	yellow	
D*	C*	25,0*
C	B	12,5
B	A	8,0
D	B	4,0
C	A	2,0
D	A	1,0

* Factory setting
Leads 1 + 2 / Further loops 1 + 2



Order data

Type	Order No.	Denomination	Power (W)	Temperature range
dHS	360 000 000	Ex-proof loudspeaker	25	-55 °C to +80 °C