

# Bells UWS-FWS

UWS

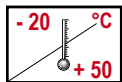
FWS



typical application:  
for pause, fire alarm or other signalling in schools,  
plants, buildings etc.

## Features

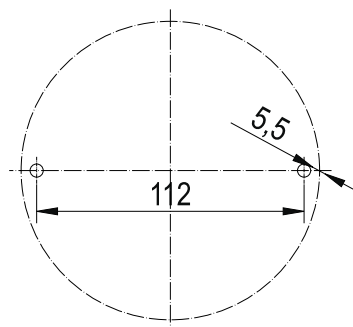
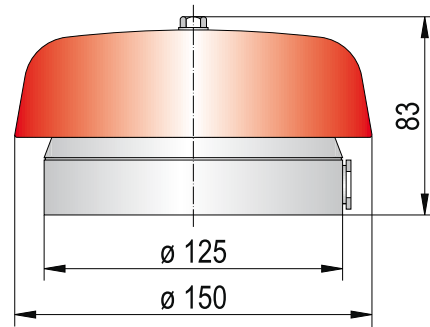
- ▶ Loud bells for universal or fire alarm with typical bell tone
- ▶ Very robust, high quality design
- ▶ Steel bell dome, epoxy-powder coated
- ▶ Housing aluminium die-cast, epoxy-powder coated





### Technical data

Type	UWS	FWS
Housing	aluminium die-cast epoxy-powder coated	
Bell dome	steel, epoxy-powder coated	
Colour	RAL 7000/7015	RAL 3000
Terminal	up to 1,5 mm <sup>2</sup>	
Cable entry	5-12 mm	
Cable conduit	surface or buried	
Mounting	vertical	
Duty cycle factor	100 %	
Protection class	IP 54	
Radio noise suppression	acc. to CENELEC EN 55014	
Temperature range	-20 °C to +50 °C	
Max. sound pressure	105 dB	
Weight	1.500 g	



### Order data

Nominal voltage (V)	Hz	Order No.		Nominal current (A)
		UWS (housing grey)	FWS (housing red)	
24 V AC		720 000 305	720 200 305	0,40
48 V AC		720 000 308	720 200 308	0,20
230 V AC		720 000 313	720 200 313	0,05
12 V DC		720 000 004	720 200 004	0,80
24 V DC		720 000 005	720 200 005	0,40