

Features

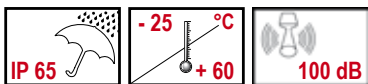
- ▶ Modularly designed flexible LED signal tower system
- ▶ Signal tower is supplied ready for installation according to buyer's specifications
- ▶ Reduced mounting and installation effort
- ▶ Available in voltages 24 V AC/DC, 110/120 V AC und 230/240 V AC
- ▶ 6 lens colours – 2 housing colours
- ▶ Certified to UL type 4/4X/13
- ▶ Excellent price-performance ratio

QUICK MOUNT SYSTEM „FOOT ADAPTER“ (Pat.No. 501053)

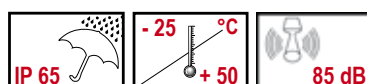
- ▶ Simple and cost saving disassembly of signal tower for transport of machine, etc.
- ▶ Quick cost saving installation of complete signal tower at client
- ▶ Immediate function, no electrical connection required at client
- ▶ Safe transport of signal tower (separately packed)
- ▶ Additional locking option of signal tower with safety screw that cannot be lost
- ▶ Signal tower fits only in one position onto the foot adapter lower part - no wrong installation of signal tower possible



modulCOMPACT70



modulCOMPACT30



modul **COMPACT70**

modul **COMPACT30**



Ø 70 mm



Ø 30 mm

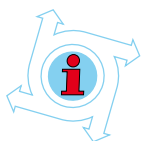




Technical data

Signal towers modulCOMPACT70

Housing	polycarbonate	Connection	prewired, 1 m cable length
Housing colour	grey RAL 7035, black RAL 9005		other cable lengths upon request
Lens	polycarbonate	Temperature range	-25 °C to +60 °C
Lens colour	amber, red, clear, blue, green, yellow	Protection class	IP 65 / UL type 4/4X/13
Light modules	DLL	DLB	
Light type	steady light	flashing light	
Light source	LED	LED	
Flashing frequency	---	2 Hz	
Light emission	360°		
Leakage	0,003 A		
Nominal current (24 V)	max. 0,030 A		
Life time	100.000 h		
Protection class	IP 65, UL type 4/4X/13		
Weight (g)	15	17	
Sound modules	DDD	DDP	DDZ
Tone type	continuous tone	pulsing tone	continuous/pulsing tone
Tone frequency	3.000 Hz		
Tone selection	externally switchable		
Max. sound pressure	100 dB		
Sound emission	360°		
Leakage	0,003 A		
Nominal current (24 V)	0,053 A		
Protection class	IP 65, UL type 4/4X/13		
Weight (g)	20		
Weight (bases)	please refer to general weight list		



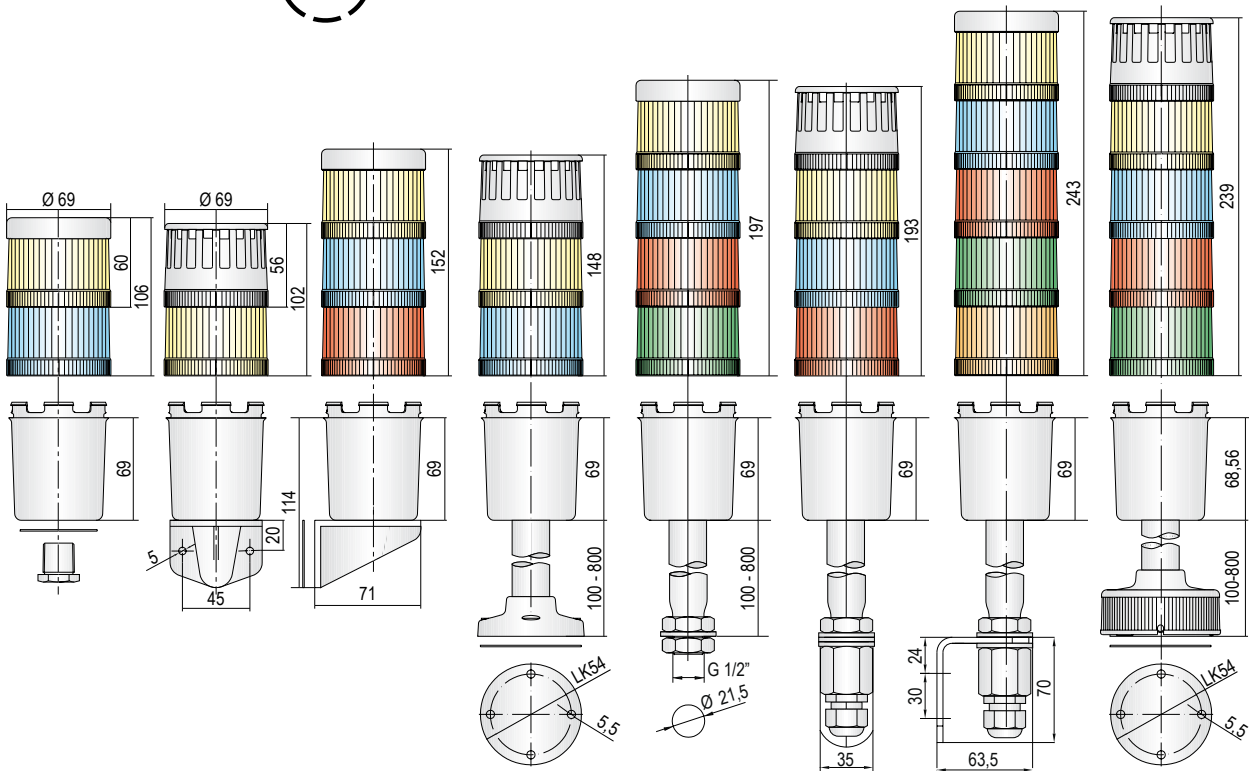
NOTE:

The supply voltage 24 V AC/DC, 110/120 V AC or 230/240 V AC is determined by selecting the base in the desired voltage. Any modules mounted on the base always operate with 24 V only.

For design reasons light modules cannot be changed after dispatch of product!



modul **COMPACT70**



DMW

DMV

DMR
 + Pole connecting box
 Information on
 page xx

DSW

BSS

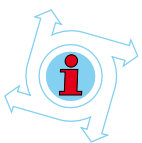
DFR



Technical data

Signal towers modulCOMPACT30

Housing	polycarbonate	Connection	prewired, 1 m cable length
Housing colour	grey RAL 7035, black RAL 9005		other cable lengths upon request
Lens	polycarbonate	Temperature range	-25 °C to +50 °C
Lens colours	amber, red, clear, blue, green, yellow	Protection class	IP 65 / UL type 4/4X/13
Light modules	CLL	CLB	
Light type	steady light	flashing light	
Light source	LED	LED	
Flashing frequency	---	2 Hz	
Light emission	360°		
Leakage	0,003 A		
Nominal current (24 V)	0,030 A		
Life time	100.000 h		
Protection class	IP 65, UL type 4/4X/13		
Weight (g)	15	17	
Sound modules	CDD	CDP	CDZ
Tone type	continuous tone	pulsing tone	continuous/pulsing tone
Tone frequency	4.500 Hz		
Tone selection	externally switchable		
Max. sound pressure	85 dB		
Sound emission	360°		
Leakage	0,003 A		
Nominal current (24 V)	0,040 A		
Protection class	IP 65, UL type 4/4X/13		
Weight (g)	20		
Weight (bases)	please refer to general weight list		



NOTE:

The supply voltage 24 V AC/DC, 110/120 V AC or 230/240 V AC is determined by selecting the base in the desired voltage. Any modules mounted on the base always operate with 24 V only.

For design reasons light modules cannot be changed after dispatch of product!



CLL/CLB

CDD/CDP/CDZ

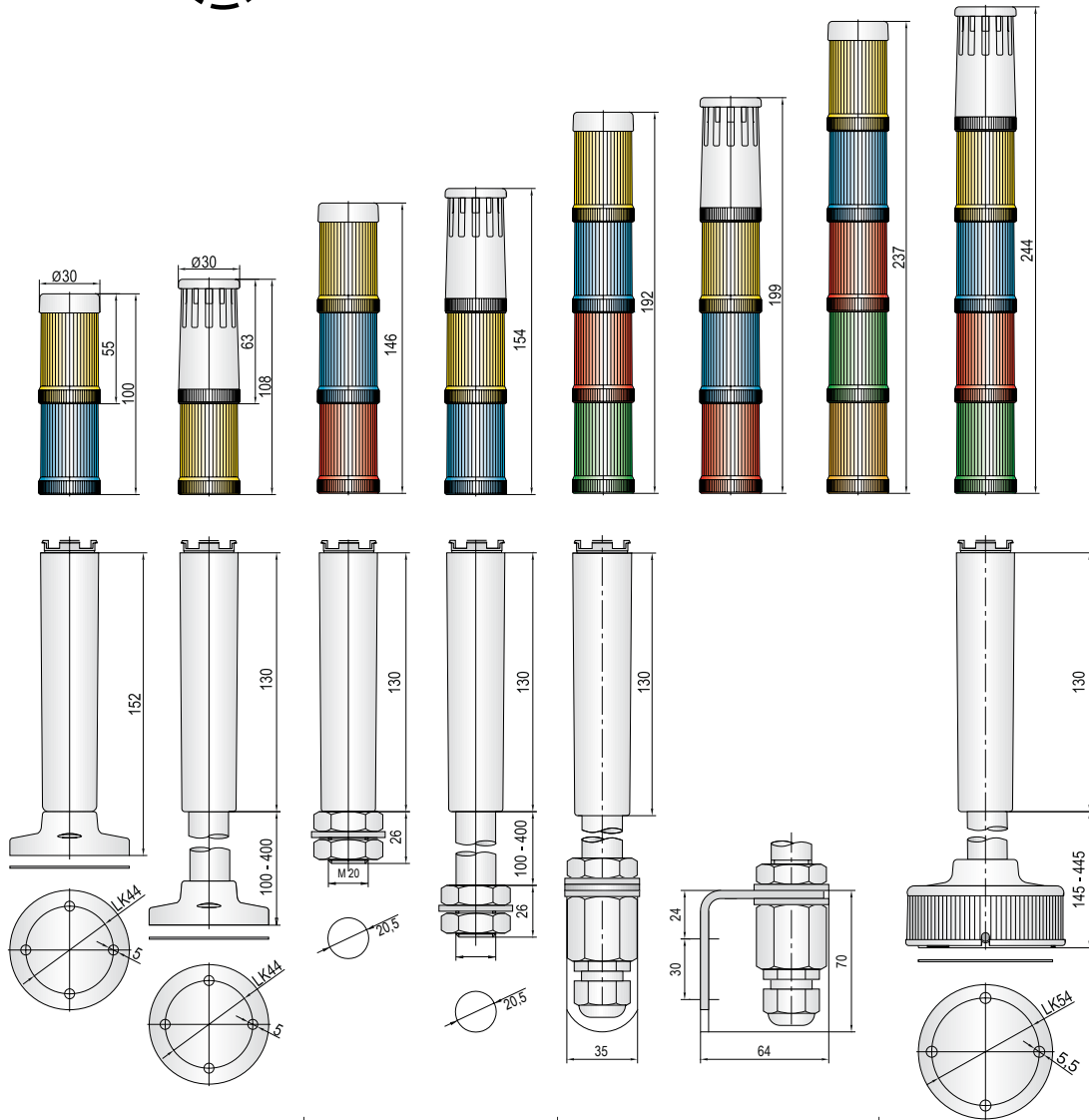
CMR

CSW

CFR

CSS

modul **COMPACT30**



CMR
 + Pole connecting box
 Information on page xx

CSW

CSS

CFR

Descriptive order number logic for modulCOMPACT70 LED signal towers

	Base	Cable	Housing colour	Nominal voltage	Module Position A	Module Position B	Module Position C	Module Position D	Module Position E
C70	T2	C5	B	24	L 6	B 2			

Base			
B0	DMW	Base for horizontal mounting	
V0	DMV	Base for vertical mounting	
P0	DMR	Pole mount base on aluminium tube with plastic foot	
P1	DMR		50 mm
P2	DMR		100 mm
P4	DMR		250 mm
T0	DSW	Pole mount base on aluminium tube for horizontal mounting with screws	
T1	DSW		50 mm
T2	DSW		100 mm
T4	DSW		250 mm
Q1	DFR	Pole mount base on aluminium tube with foot adapter for quick mounting	
Q2	DFR		400 mm
Q4	DFR		100 mm

Standard UL cable, yellow	
C1	1 m
C2	2 m
C3	3 m
C5	5 m

Housing colour	
B	black
G	gray

Nominal voltage	
24	24 V AC/DC
10	110/120 V AC
20	230/240 V AC

Modules		
L	DLL	LED steady light (1 Position)
B	DLB	LED flashing light (1 Position)
DD	DDD	Piezo buzzer, continuous tone, 100 dB (1 position)
DP	DDP	Piezo buzzer, pulsing tone, 100 dB (1 position)
DZ	DDZ	Piezo buzzer, continuous and pulsing tone, 100 dB, externally switchable (2 positions)

Lens colour	
1	amber
2	red
4	clear
5	blue
6	green
7	yellow



Accessories

Type	Denomination	Colour	Order No.
BSS	Set for vertical mounting (for DSW)	black	200 800 900
BSS	Set for vertical mounting (for DSW)	gray	200 400 900



How to order correctly a modulCOMPACT70 LED signal tower			
Configuration	Type	New	Correct order number
LED flashing light, red	DLB	B2	C70T2C5B24L6B2
LED steady light, green	DLL	L6	
Nominal voltage 24 V AC/DC		24	
Housing colour black		B	
Cable 5 m		C5	
Pole mount base on aluminium tube with screws, 250 mm	DSW	T2	
Accessory (to be ordered with a separate order no.):			
Set for vertical mounting (for DSW), black	BSS		200 800 900

Descriptive order number logic for modulCOMPACT30 LED signal towers

	Base	Cable	Housing colour	Nominal voltage	Module Position A		Module Position B		Module Position C		Module Position D		Module Position E	
C30	P1	C1	B	20	B	1	L	5	L	4	B	2	D	P

Base			
P0	CMR		0 mm
P1	CMR	Pole mount base on aluminium tube with plastic foot	100 mm
P2	CMR		250 mm
P4	CMR		400 mm
T0	CSW		0 mm
T1	CSW	Pole mount base on aluminium tube for horizontal mounting with screws	100 mm
T2	CSW		250 mm
T4	CSW		400 mm
Q0	CFR		0 mm
Q1	CFR	Pole mount base on aluminium tube with foot adapter for quick mounting	100 mm
Q2	CFR		250 mm
Q4	CFR		400 mm

Standard UL cable, yellow	
C1	1 m
C2	2 m
C3	3 m
C5	5 m

Housing colour	
B	black
G	gray

Nominal voltage	
24	24 V AC/DC
10	110/120 V AC
20	230/240 V AC

Modules			
L	CLL	LED steady light (1 position)	
B	CLB	LED flashing light (1 position)	
DD	CDD	Piezo buzzer, continuous tone, 85 dB (1 position)	
DP	CDP	Piezo buzzer, pulsing tone, 85 dB (1 position)	
DZ	CDZ	Piezo buzzer, cont. and pulsing tone, 85 dB (2 positions)	

Lens colour	
1	amber
2	red
4	clear
5	blue
6	green
7	yellow



Accessories

Type	Denomination	Colour	Order No.
CSS	Set for vertical mounting (for CSW)	black	700 530 900
CSS	Set for vertical mounting (for CSW)	gray	700 130 900



How to order correctly a modulCOMPACT30 LED signal tower				
Configuration	Type	New	Correct order number	
Buzzer pulsing tone	CDP	DP	C30P1C1B20B1L5L4B2DP	
LED flashing light, red	CLB	B2		
LED steady light, clear	CLL	L4		
LED steady light, blue	CLL	L5		
LED flashing light, amber	CLB	B1		
Nominal voltage 230 V		20		
Housing colour black		B		
Cable 1 m		C1		
Pole mount base on alu tube with plastic foot, 100 mm	CMR	P1		



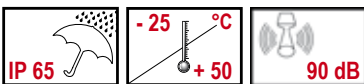
Features

- ▶ Visual-audible LED signal tower in half dome design
- ▶ For universal applications (industrial, building and others)
- ▶ Any colour combination and housing size (2 – 5 positions) available
- ▶ 6 lens colours, 3 housing colours (grey, chrome, black)
- ▶ LED steady light or LED flashing light for each position selectable
- ▶ High protection class IP 65 – suitable for outdoor and indoor
- ▶ For horizontal and vertical mounting
- ▶ Particular lens optics with reflective coating
 - optimal signalling and visibility from each viewing angle (180°)
 - „moving“ bright LED light
- ▶ Optional piezo buzzer in upper housing area available
 - tone types continuous and pulsing
 - sound pressure individually adjustable ~70-90 dB (A) in 1 m
- ▶ SPS-fit (leakage, inrush current)
- ▶ Available in nominal voltages 12 V AC/DC, 24 V AC/DC, 110/120 V AC and 230/240 V AC
- ▶ Certified to UL type 4/4X/13

slim design, only 45 mm wide for optimal integration/combination of signal tower unit in machine/panel building or other (building) applications



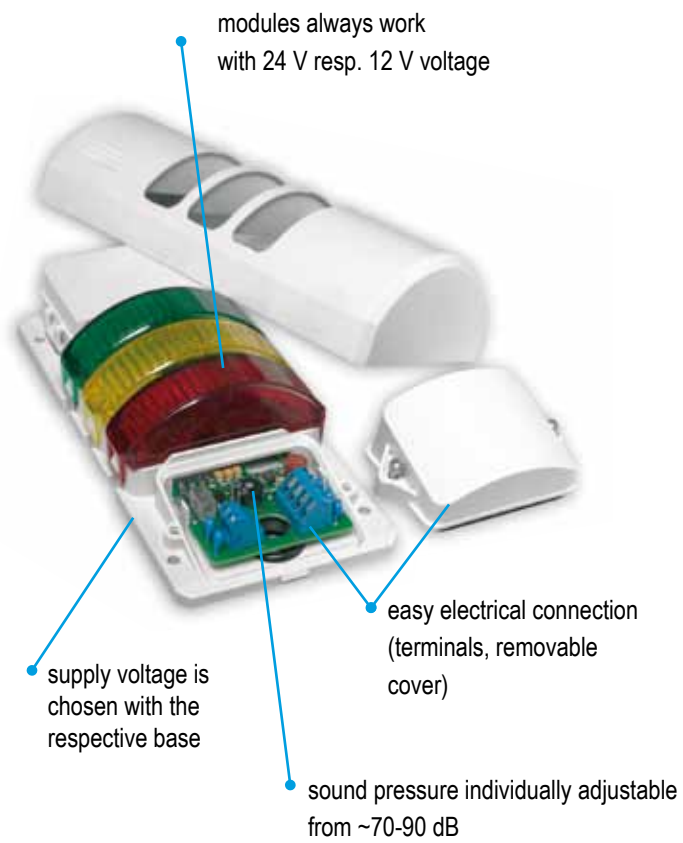
IP 65 – for use in damp and dusty environmental conditions, also outdoor



halfDOME90



Optimal signalling and visibility from each viewing angle (180°)
 moving bright LED light





Technical data

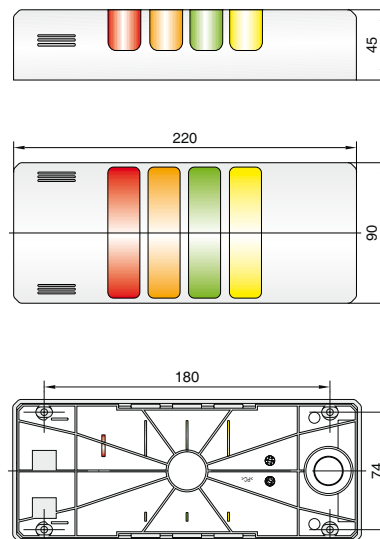
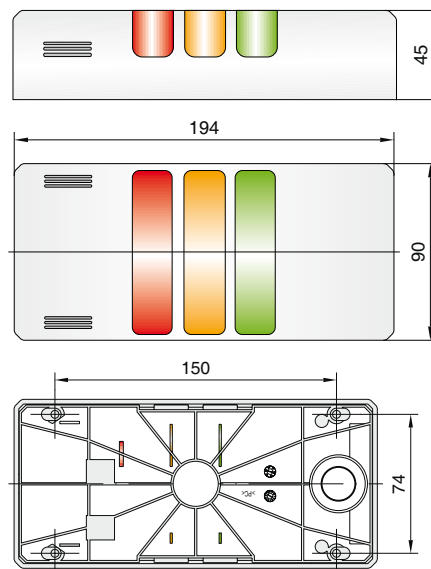
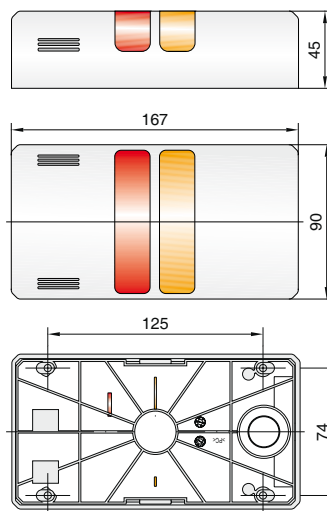
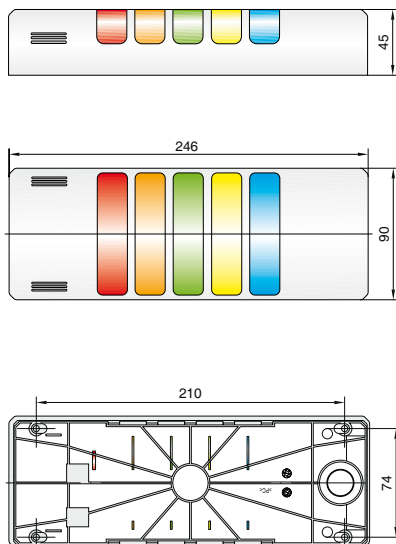
Signal towers halfDOME90

Housing	polycarbonate	
Housing upper part, colour	ABS, grey RAL 7035, black RAL 9005, chrome	
Lens	polycarbonate	
Lens colour	amber, red, clear, blue, green, yellow	
Temperature range	-25 °C to +50 °C	
Protection class	IP 65 NEMA 4/4X/13	
Light modules	HDL	HDB
Type of light	steady light	flashing light
Light source	LED	LED
Flashing frequency	---	2 Hz
Light emission	180°	
Leakage	0,003 A	
Nominal current (24 V)	0,043 A	
Weight (g)	2 lights: 273	
	3 lights: 319	
	4 lights: 376	
	5 lights: 419	
Buzzermodule	HDZ	
Tone type	continuous/pulsing	
Tone frequency	~ 2500 Hz	
Tone selection	tone selectable via terminal clamp	
Max. sound pressure	~ 70-90 dB (potentiometer)	
Nominal current	0,065 A	

NOTE:

Light modules mounted in housings of halfDOME products work for nominal voltages 24 V AC/DC, 110/120 V AC and 230/240 V AC with an operating voltage of 24 V only; 12 V AC/DC models work with 12 V operating voltage.

For design reasons light modules cannot be changed after dispatch of product!



Descriptive order number logic for halfDOME90 LED signal towers

	Housing colour	Nominal voltage	Module Position A		Module Position B		Module Position C		Module Position D		Module Position E		Tone module	
HD	C	24	L	6	B	7	L	2	B	5	L	4	D	Z

Housing colour	
G	gray
C	chrome
B	black

Nominal voltage	
12	12 V AC/DC
24	24 V AC/DC
10	110/120 V AC
20	230/240 V AC

Module		
L	HDL	LED steady light
B	HDB	LED flashing light
DZ	HDZ	Buzzer continuous/pulsing tone 70-90 dB

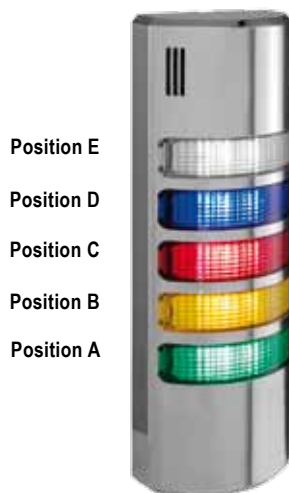
Lens colour	
1	amber
2	red
4	clear
5	blue
6	green
7	yellow



INFORMATION:

halfDOME LED signal towers are available in 4 housing models:

HD2	Housing with 2 lights
HD3	Housing with 3 lights
HD4	Housing with 4 lights
HD5	Housing with 5 lights



How to order correctly a halfDOME90 LED signal tower			
Configuration	Type	New	Correct order number
Buzzer continuous/pulsing tone	HDZ	DZ	HDC24L6B7L2B5L4DZ
LED steady light, clear	HDL	L4	
LED flashing light, blue	HDB	B5	
LED steady light, red	HDL	L2	
LED flashing light, yellow	HDB	B7	
LED steady light, green	HDL	L6	
Nominal voltage 24 V AC/DC		24	
Housing colour chrome		C	
Housing for 5 lights	HD5		